

2010 ranks as the seventh most active year for tornados in the US since 1950.*

Storm statistics show record highs in the last 5 years. According to the Federal Emergency Management Agency (FEMA) an underground shelter is the safest place to be during a violent storm. Take cover shelters manufactures and installs state-of-the-art underground storm shelters. As a family owned and operated business we understand the importance of keeping your family safe during a storm. We offer three shelter sizes with features designed with your family's safety in mind.

Installation

Our trained, courteous professionals can complete a routine installation within one day. We can install our shelters into any covered concrete area where our equipment can safely reach. The installation always wraps up with a thorough cleaning of the area.



Our cost to you is lower than most other companies because TakeCover manufactures and installs its own shelters. We also stand behind our products with a 25-year product warranty that protects your shelter against leakage, floating, or structural damage.



Call to schedule an appointment for an on-site tour of our best selling shelter.

901-626-1691

Visit our web site for pricing and more information about our company.

www.takecovershelters.com

facebook.com/takecovershelters

P.O. Box 208 • Arlington, TN 38002

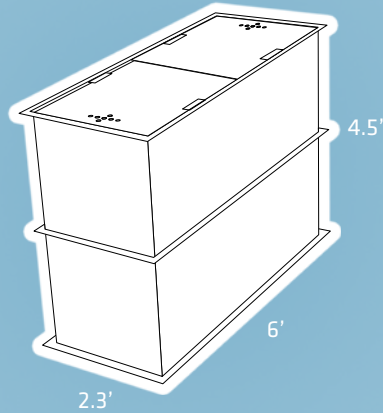
Peace of mind
in the path of the storm.



* NOAA National Climatic Data Center, State of the Climate: Tornadoes for Annual 2010, published online December 2010. <http://www.ncdc.noaa.gov/sotc/tornadoes/2010/13>.

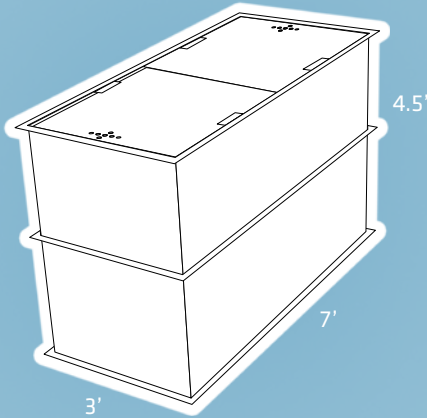
4

Four Person Enclosure



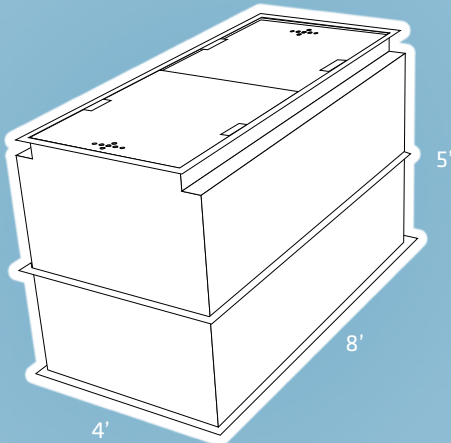
8

Eight Person Enclosure



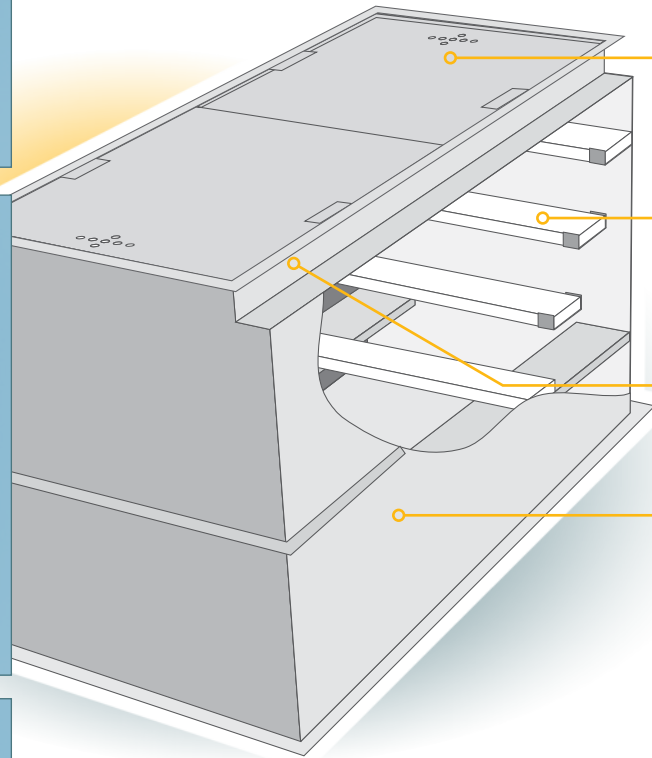
12

Twelve Person Enclosure



TakeCover Storm Shelters are built to keep you safe.

Our shelters are engineered withstand the violence of a magnitude EF-5 tornado, exceeding the standards set by the Federal Emergency Management Agency (FEMA). Each enclosure is constructed of 10 gauge steel, welded together into a solid enclosure, and during installation, the site is backfilled with concrete. The Easy Glide sliding door and stationary top panel are made of 1/4 inch solid steel, making our shelters super durable and easy to operate.



STANDARD FEATURES

EasyGlide Sliding Door

The Easy Glide sliding door is a sturdy 1/4" solid steel panel, seated atop bearing rollers that make it easy enough for a child to open.

Simple Removable Staircase

Each model comes equipped with removable steps that can be taken down in seconds, creating a less cramped seating area.

Flush Contour Entry

The flush contour places the entryway at floor level, decreasing the possibility of being wedged closed.

FEMA Approved

Our design is one of the safest products on the market. The specifications exceed those required by FEMA and carry an engineer's seal of approval.

25-Year Warranty

Our products carry a 25-year product warranty that protects your shelter against leakage, floating, or structural damage.

UPGRADE FEATURES

Lift Kit

Your shelter can be built with a lift kit that can push open the top panels of the shelter in the event of a collapse.

Ratcheted Door Opener

If the opening becomes blocked or wedged the ratcheted hand winch can easily free the EasyGlide sliding door.

Custom Design

Our shelters are manufactured by hand. we can add custom modifications to suit your needs.

TakeCover Shelters Others.

We'll give five percent of your total purchase to your choice of six organizations.

Visit takecovershelters.com for details.

